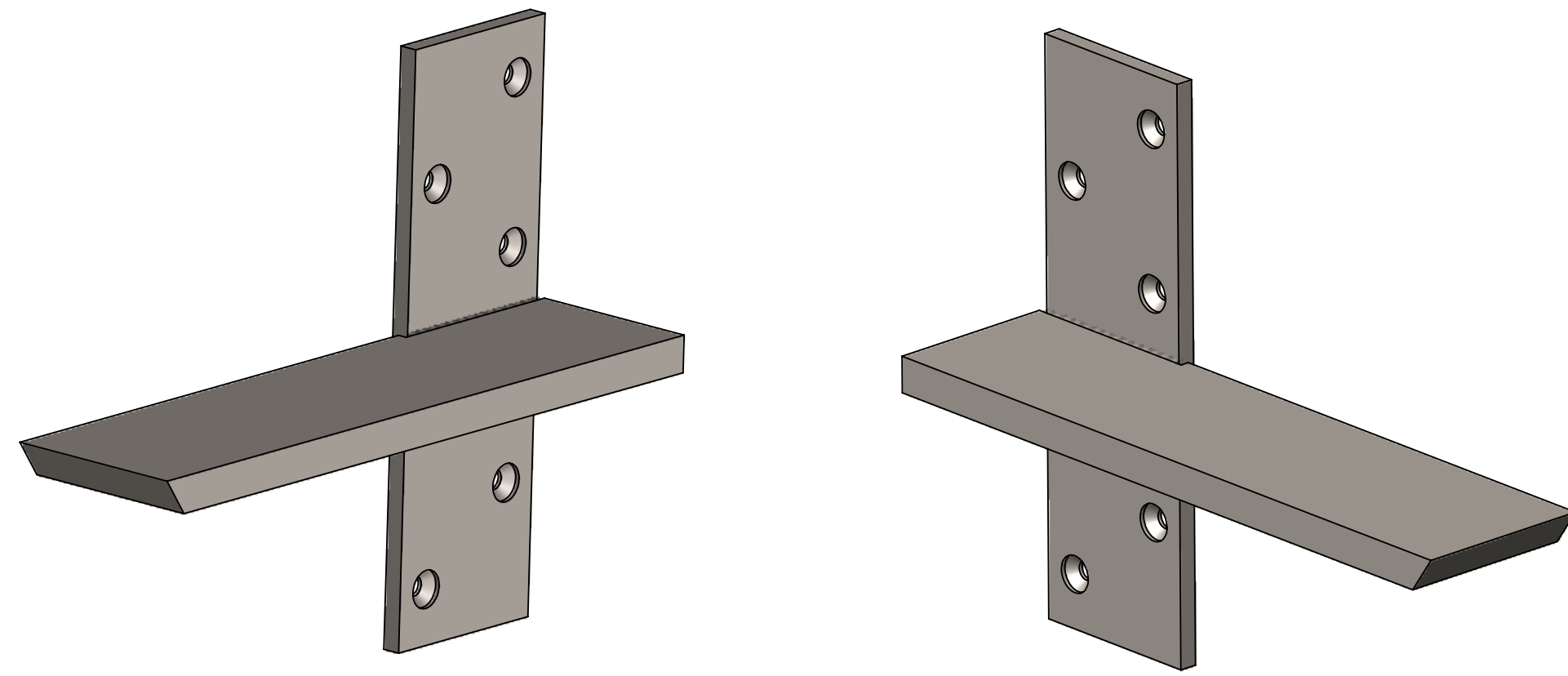


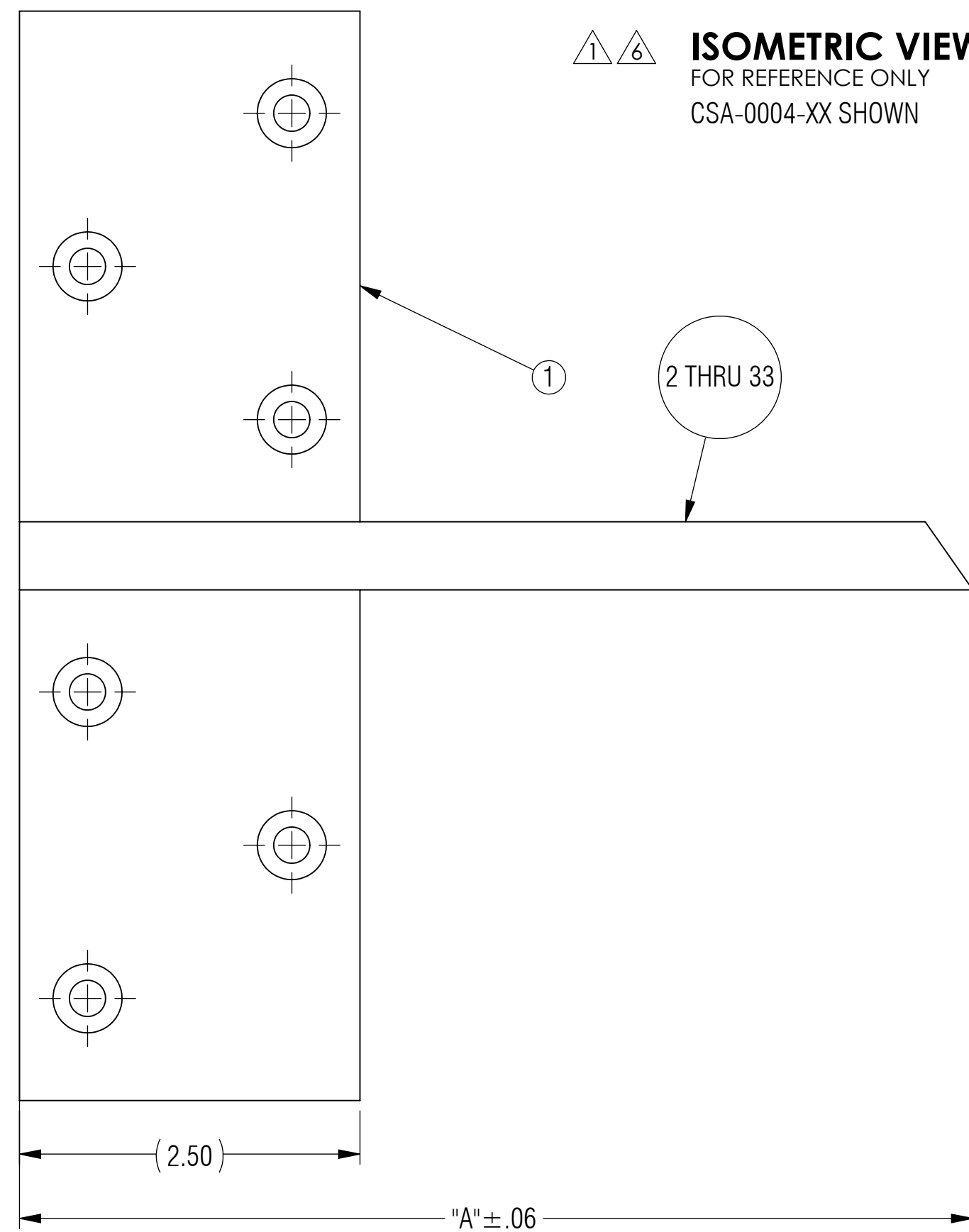
NOTES: UNLESS OTHERWISE SPECIFIED

- 1 MATERIAL: FOR PART MATERIALS REFERENCE SEPARATE PART DRAWINGS.
- 2 ALL DIMENSIONS ARE TO THEORETICAL SHARP.
- 3 REMOVE BURRS AND BREAK ALL SHARP EDGES .03 MAX.
- 4 ALL DIMENSIONS ARE IN INCHES UNLESS STATED OTHERWISE.
- 5 PARTS SHALL BE FREE OF GREASE AND CUTTING FLUID.
- 6 POWDER COAT PER MIL-PRF-24712A (TYPE 3, CLASS 3)

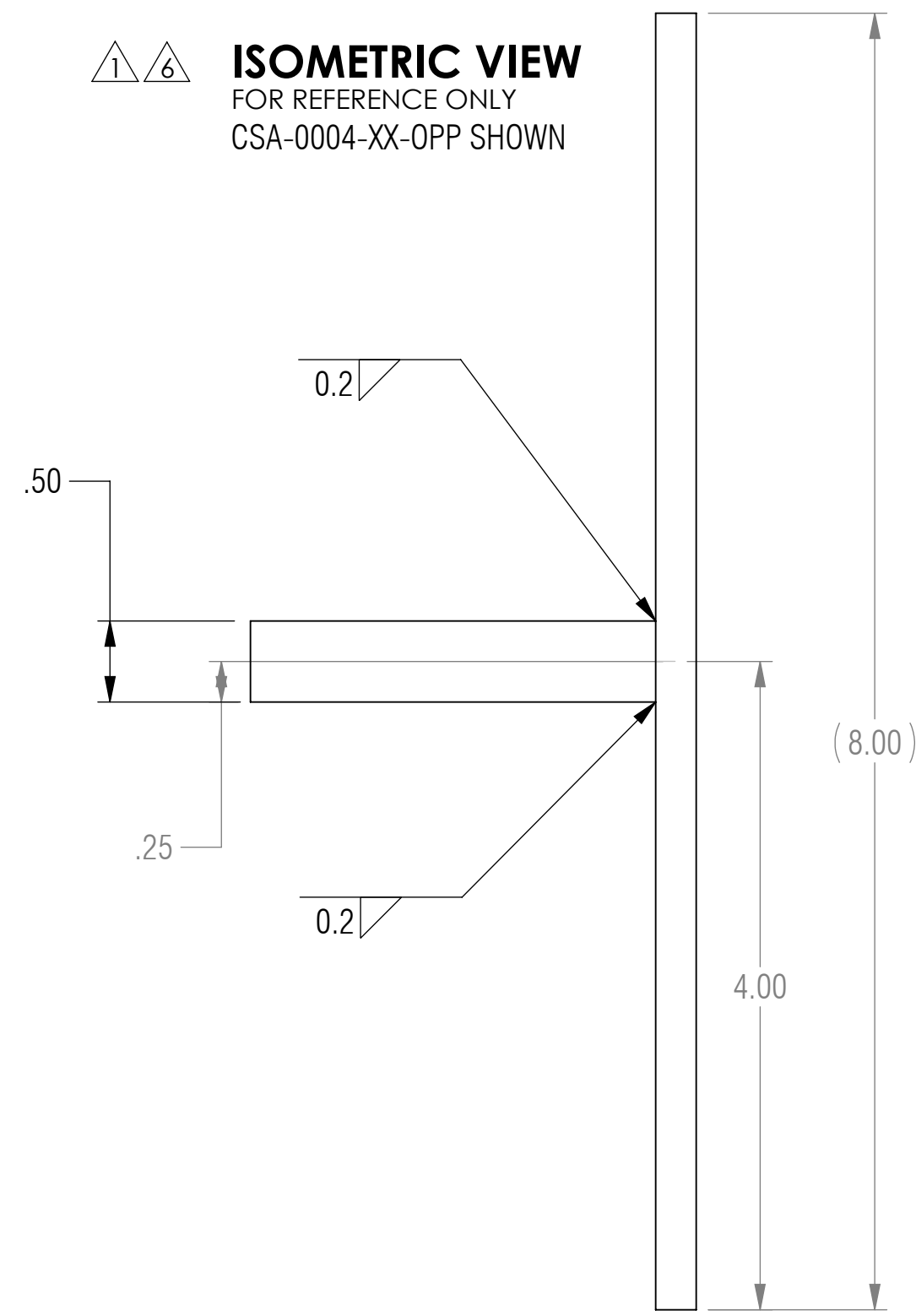


ISOMETRIC VIEW
FOR REFERENCE ONLY
CSA-0004-XX SHOWN

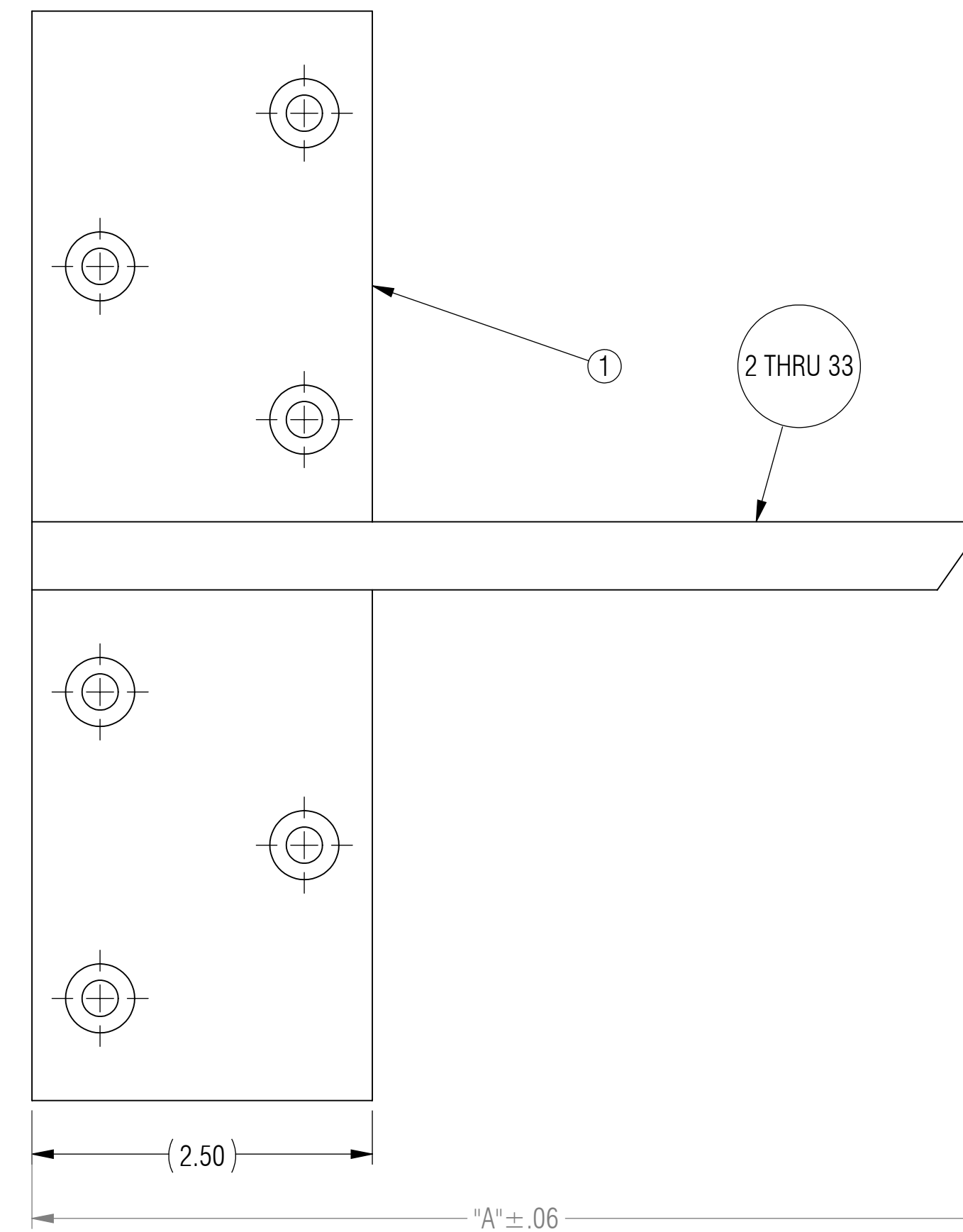
ISOMETRIC VIEW
FOR REFERENCE ONLY
CSA-0004-XX-OPP SHOWN



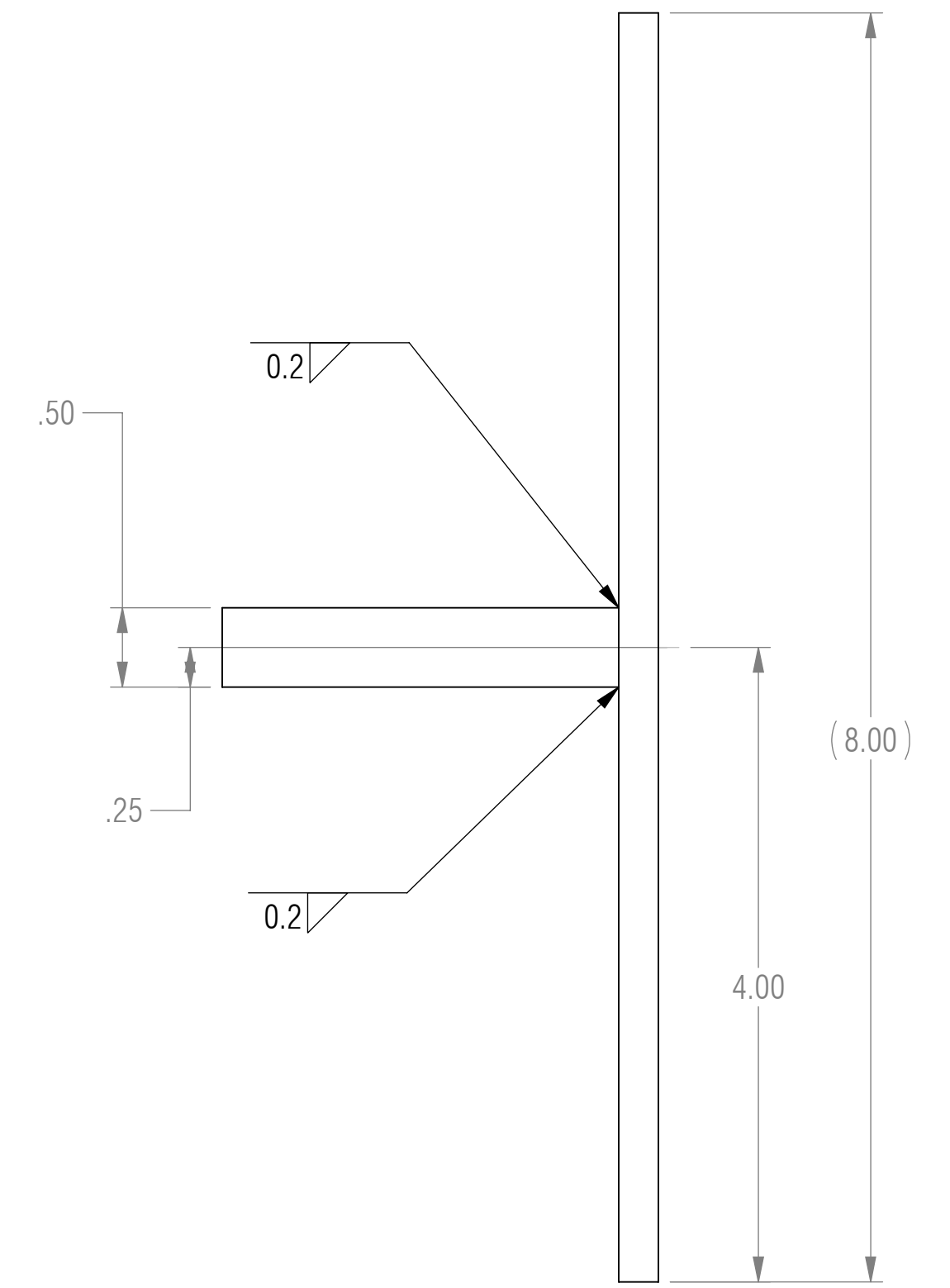
CSA-0004-XX SHOWN



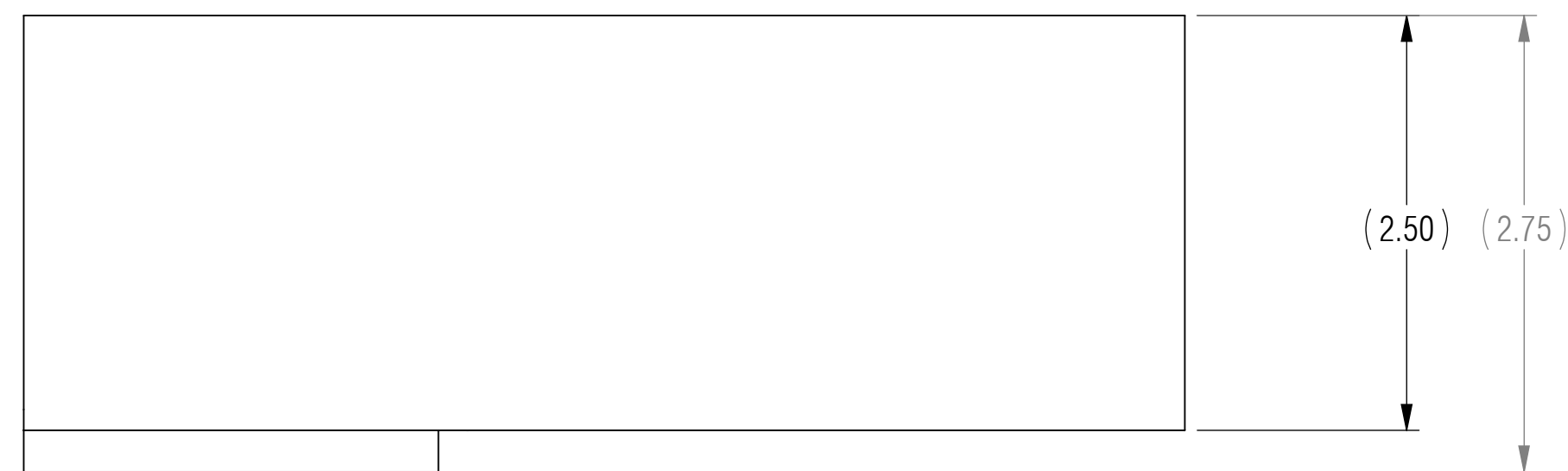
CSA-0004-XX SHOWN



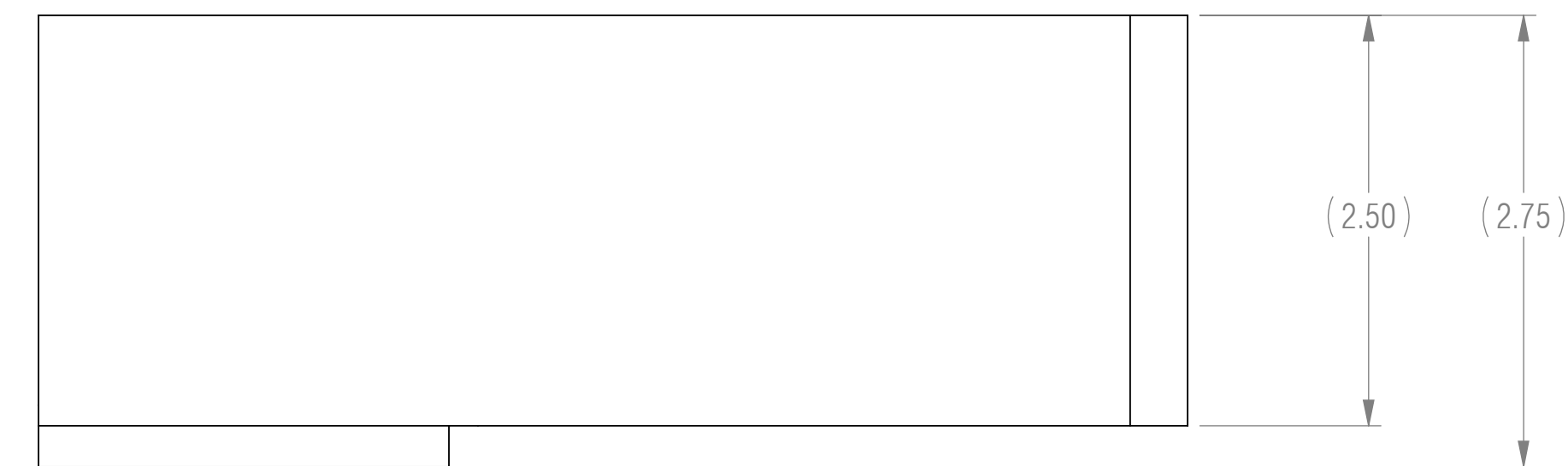
CSA-0004-XX-OPP SHOWN



CSA-0004-XX-OPP SHOWN



CSA-0004-XX SHOWN



CSA-0004-XX-OPP SHOWN

CONFIGURATION TABLE	
	"A"
CSA-0004-7	7.00
CSA-0004-7-OPP	7.00
CSA-0004-8	8.00
CSA-0004-8-OPP	8.00
CSA-0004-9	9.00
CSA-0004-9-OPP	9.00
CSA-0004-10	10.00
CSA-0004-10-OPP	10.00
CSA-0004-11	11.00
CSA-0004-11-OPP	11.00
CSA-0004-12	12.00
CSA-0004-12-OPP	12.00
CSA-0004-13	13.00
CSA-0004-13-OPP	13.00
CSA-0004-14	14.00
CSA-0004-14-OPP	14.00
CSA-0004-15	15.00
CSA-0004-15-OPP	15.00
CSA-0004-16	16.00
CSA-0004-16-OPP	16.00
CSA-0004-17	17.00
CSA-0004-17-OPP	17.00
CSA-0004-18	18.00
CSA-0004-18-OPP	18.00
CSA-0004-19	19.00
CSA-0004-19-OPP	19.00
CSA-0004-20	20.00
CSA-0004-20-OPP	20.00
CSA-0004-21	21.00
CSA-0004-21-OPP	21.00
CSA-0004-22	22.00
CSA-0004-22-OPP	22.00

REVISION STATUS - ALL SHEETS ARE THE SAME REVISION				
ZONE	REV.	DESCRIPTION	DATE	APPROVED
	X1	DEVELOPMENT	07/04/2013	KRH
	X2	MODIFIED POWDER COAT NOTE ADDED "A" INCH LENGTH ADDED CONFIGURATION TABLE MODIFIED WELD CALLOUT (NOW) 0.2 (WAS) 0.3 ADDED CSA-0004-XX-OPP VIEWS ADDED SHT 2	07/20/2013	KRH

RELEASED

UNLESS OTHERWISE SPECIFIED: DIMENSIONS ARE IN INCHES		ENGINEER		
TOLERANCES ARE:		ENGINEER		
.XX ± .01	ANGLES	ENGINEER		
.XXX ± .005	XX° ± 1°	CHECKED CAS	07/20/2013	
		DRAWN KRH	07/04/2013	
		MANAGER APPROVAL		
INTERPRET DRAWINGS IN ACCORDANCE WITH:		THE INFORMATION ON THIS DRAWING IS PROPRIETARY AND SHALL NOT BE DISCLOSED, USED, OR DUPLICATED FOR PROCUREMENT OR MANUFACTURING PURPOSES WITHOUT THE EXPRESS WRITTEN CONSENT OF CENTERLINE STEEL, LLC		
ASME Y14.100	ENGINEERING DRAWING PRACTICES	THIRD ANGLE PROJECTION		
ASME Y14.38	ABBREVIATIONS			
ASME Y14.5	DIMENSIONING AND TOLERANCING			
ASME Y14.6	SCREW THREAD REPRESENTATION			
ASME Y14.8	CASTINGS, FORGINGS & MOLDED PARTS			
AWS A2.4	WELDING SYMBOLS	SIZE D CAGE CODE DRAWING NO CSA-0004 REV X2		
IEEE STD 315	SYMBOLS FOR ELECTRICAL AND ELECTRONIC DIAGRAMS	SCALE 1:1 SHEET 1 OF 2		

CenterlineBrackets
A CENTERLINE STEEL, LLC DIVISION

DRAWING TITLE
WALL MOUNT, FLOATING, SUPPORT

BOM TABLE

ITEM NO.	PART NUMBER	CSA-0004-7/QTY.	CSA-0004-7-OPP/QTY.	CSA-0004-8/QTY.	CSA-0004-8-OPP/QTY.	CSA-0004-9/QTY.	CSA-0004-9-OPP/QTY.	CSA-0004-10/QTY.	CSA-0004-10-OPP/QTY.	CSA-0004-11/QTY.	CSA-0004-11-OPP/QTY.	CSA-0004-12/QTY.	CSA-0004-12-OPP/QTY.	CSA-0004-13/QTY.	CSA-0004-13-OPP/QTY.	CSA-0004-14/QTY.	CSA-0004-14-OPP/QTY.	CSA-0004-15/QTY.	CSA-0004-15-OPP/QTY.	CSA-0004-16/QTY.	CSA-0004-16-OPP/QTY.	CSA-0004-17/QTY.	CSA-0004-17-OPP/QTY.	CSA-0004-18/QTY.	CSA-0004-18-OPP/QTY.	CSA-0004-19/QTY.	CSA-0004-19-OPP/QTY.	CSA-0004-20/QTY.	CSA-0004-20-OPP/QTY.	CSA-0004-21/QTY.	CSA-0004-21-OPP/QTY.	CSA-0004-22/QTY.	CSA-0004-22-OPP/QTY.	
1	CSP-0009	1	1	1	1	1	1	1	1	1	1	1	1	1	1	1	1	1	1	1	1	1	1	1	1	1	1	1	1	1	1	1	1	
2	CSP-0006-7	1	-	-	-	-	-	-	-	-	-	-	-	-	-	-	-	-	-	-	-	-	-	-	-	-	-	-	-	-	-	-	-	
3	CSP-0006-7-OPP	-	1	-	-	-	-	-	-	-	-	-	-	-	-	-	-	-	-	-	-	-	-	-	-	-	-	-	-	-	-	-	-	
4	CSP-0006-8	-	-	1	-	-	-	-	-	-	-	-	-	-	-	-	-	-	-	-	-	-	-	-	-	-	-	-	-	-	-	-	-	
5	CSP-0006-8-OPP	-	-	-	1	-	-	-	-	-	-	-	-	-	-	-	-	-	-	-	-	-	-	-	-	-	-	-	-	-	-	-	-	
6	CSP-0006-9	-	-	-	-	1	-	-	-	-	-	-	-	-	-	-	-	-	-	-	-	-	-	-	-	-	-	-	-	-	-	-	-	
7	CSP-0006-9-OPP	-	-	-	-	-	1	-	-	-	-	-	-	-	-	-	-	-	-	-	-	-	-	-	-	-	-	-	-	-	-	-	-	
8	CSP-0006-10	-	-	-	-	-	-	1	-	-	-	-	-	-	-	-	-	-	-	-	-	-	-	-	-	-	-	-	-	-	-	-	-	
9	CSP-0006-10-OPP	-	-	-	-	-	-	-	1	-	-	-	-	-	-	-	-	-	-	-	-	-	-	-	-	-	-	-	-	-	-	-	-	
10	CSP-0006-11	-	-	-	-	-	-	-	-	1	-	-	-	-	-	-	-	-	-	-	-	-	-	-	-	-	-	-	-	-	-	-	-	
11	CSP-0006-11-OPP	-	-	-	-	-	-	-	-	-	1	-	-	-	-	-	-	-	-	-	-	-	-	-	-	-	-	-	-	-	-	-	-	
12	CSP-0006-12	-	-	-	-	-	-	-	-	-	-	1	-	-	-	-	-	-	-	-	-	-	-	-	-	-	-	-	-	-	-	-	-	
13	CSP-0006-12-OPP	-	-	-	-	-	-	-	-	-	-	-	1	-	-	-	-	-	-	-	-	-	-	-	-	-	-	-	-	-	-	-	-	
14	CSP-0006-13	-	-	-	-	-	-	-	-	-	-	-	-	1	-	-	-	-	-	-	-	-	-	-	-	-	-	-	-	-	-	-	-	
15	CSP-0006-13-OPP	-	-	-	-	-	-	-	-	-	-	-	-	-	1	-	-	-	-	-	-	-	-	-	-	-	-	-	-	-	-	-	-	
16	CSP-0006-14	-	-	-	-	-	-	-	-	-	-	-	-	-	-	1	-	-	-	-	-	-	-	-	-	-	-	-	-	-	-	-	-	
17	CSP-0006-14-OPP	-	-	-	-	-	-	-	-	-	-	-	-	-	-	-	1	-	-	-	-	-	-	-	-	-	-	-	-	-	-	-	-	
18	CSP-0006-15	-	-	-	-	-	-	-	-	-	-	-	-	-	-	-	-	1	-	-	-	-	-	-	-	-	-	-	-	-	-	-	-	
19	CSP-0006-15-OPP	-	-	-	-	-	-	-	-	-	-	-	-	-	-	-	-	-	1	-	-	-	-	-	-	-	-	-	-	-	-	-	-	
20	CSP-0006-16	-	-	-	-	-	-	-	-	-	-	-	-	-	-	-	-	-	-	1	-	-	-	-	-	-	-	-	-	-	-	-	-	
21	CSP-0006-16-OPP	-	-	-	-	-	-	-	-	-	-	-	-	-	-	-	-	-	-	-	1	-	-	-	-	-	-	-	-	-	-	-	-	
22	CSP-0006-17	-	-	-	-	-	-	-	-	-	-	-	-	-	-	-	-	-	-	-	-	1	-	-	-	-	-	-	-	-	-	-	-	
23	CSP-0006-17-OPP	-	-	-	-	-	-	-	-	-	-	-	-	-	-	-	-	-	-	-	-	-	1	-	-	-	-	-	-	-	-	-	-	
24	CSP-0006-18	-	-	-	-	-	-	-	-	-	-	-	-	-	-	-	-	-	-	-	-	-	-	1	-	-	-	-	-	-	-	-	-	
25	CSP-0006-18-OPP	-	-	-	-	-	-	-	-	-	-	-	-	-	-	-	-	-	-	-	-	-	-	-	1	-	-	-	-	-	-	-	-	
26	CSP-0006-19	-	-	-	-	-	-	-	-	-	-	-	-	-	-	-	-	-	-	-	-	-	-	-	-	1	-	-	-	-	-	-	-	
27	CSP-0006-19-OPP	-	-	-	-	-	-	-	-	-	-	-	-	-	-	-	-	-	-	-	-	-	-	-	-	-	1	-	-	-	-	-	-	
28	CSP-0006-20	-	-	-	-	-	-	-	-	-	-	-	-	-	-	-	-	-	-	-	-	-	-	-	-	-	-	1	-	-	-	-	-	
29	CSP-0006-20-OPP	-	-	-	-	-	-	-	-	-	-	-	-	-	-	-	-	-	-	-	-	-	-	-	-	-	-	-	1	-	-	-	-	
30	CSP-0006-21	-	-	-	-	-	-	-	-	-	-	-	-	-	-	-	-	-	-	-	-	-	-	-	-	-	-	-	-	1	-	-	-	
31	CSP-0006-21-OPP	-	-	-	-	-	-	-	-	-	-	-	-	-	-	-	-	-	-	-	-	-	-	-	-	-	-	-	-	-	1	-	-	
32	CSP-0006-22	-	-	-	-	-	-	-	-	-	-	-	-	-	-	-	-	-	-	-	-	-	-	-	-	-	-	-	-	-	-	1	-	
33	CSP-0006-22-OPP	-	-	-	-	-	-	-	-	-	-	-	-	-	-	-	-	-	-	-	-	-	-	-	-	-	-	-	-	-	-	-	1	-