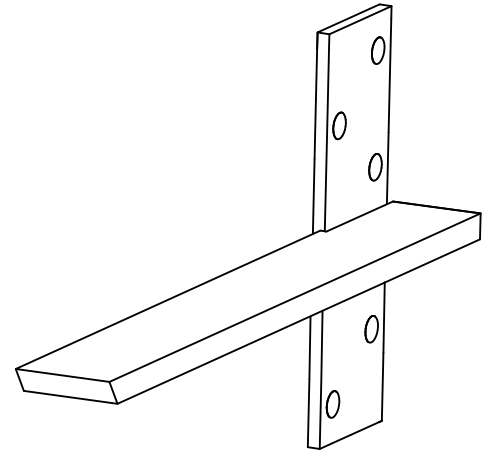
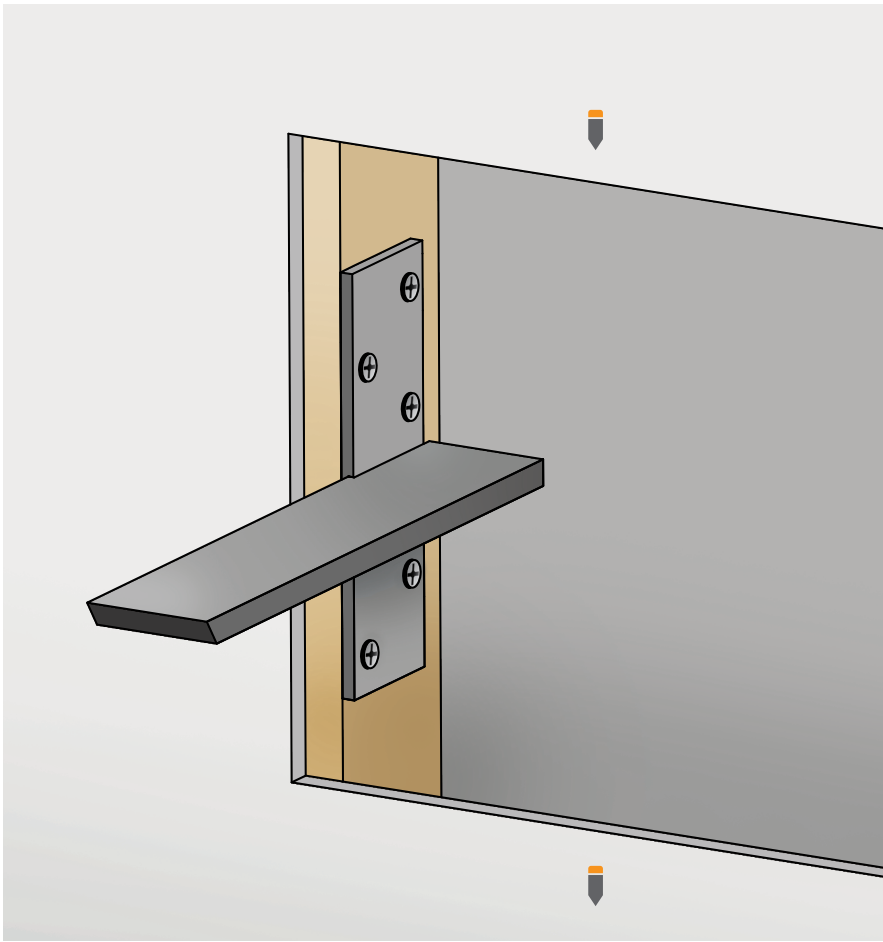


Installation Guide | Floating Wall Mount Bracket



1. Measure and mark the appropriate mounting locations on your wall.
2. Remove sheet rock in the area of the stud where the bracket will be mounted.
HINT: Use a chalk line to pop a straight, level line. Then attach a 2" x 4" along the line ensuring it stays level and straight. This will serve as a platform for your brackets keeping them level with each other.
3. Securely mount the bracket to the side of the stud.
4. Once the bracket is fastened patch the wall.
5. Prior to setting the top in place, run a bead of high quality silicone adhesive down the center of each bracket.